



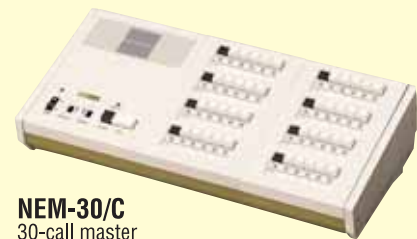
Master station



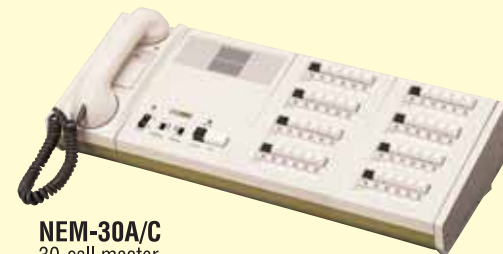
NEM-10/C
10-call master
NEM-20/C
20-call master



NEM-10A/C
10-call master
NEM-20A/C
20-call master



NEM-30/C
30-call master
NEM-40/C
40-call master



NEM-30A/C
30-call master
NEM-40A/C
40-call master

Sub station



NA-A
Sub station



NA-AN
Privacy sub station

Power supply
PS-2420S PS-2420DIN
→ P.100



NB-L
Ceiling sub station



NE-JA
Flush sub station



NAR-6A
Call button



NBY-4A
Corridor call light



NAR-3
Round corridor light



NA-NE
Sub station



NBR-8A
Bedside call switch



NBY-1A
Metal jack for bedside call switch



NBR-7AS
Bathroom pullcord, moisture-resistant



NAR-2A
Call reset button

Lineup



IER-2
Call extension
→ P.97



NBJ-40
Call switching device
for NEM-30/C, 40/C
→ P.95



NBJ-20B
Call switching device
for NEM-10A/C, 20A/C
→ P.95



NEW-5
Dual master call adaptor
→ P.96



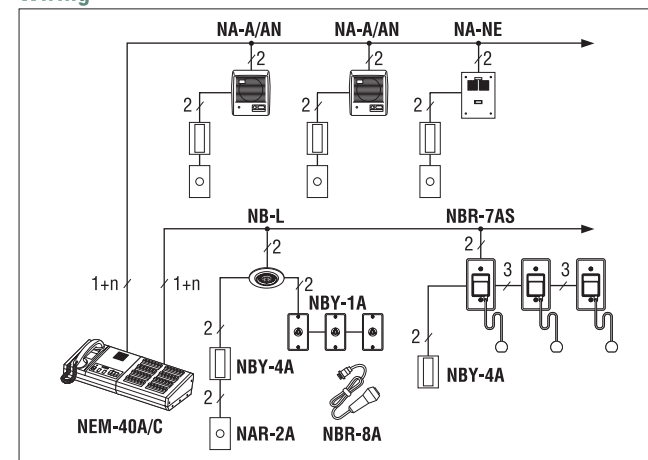
NBJ-20
Call switching device
for NEM-10/C, 20/C
→ P.95

NBJ-40B
Call switching device
for NEM-30A/C, 40A/C
→ P.95

Features

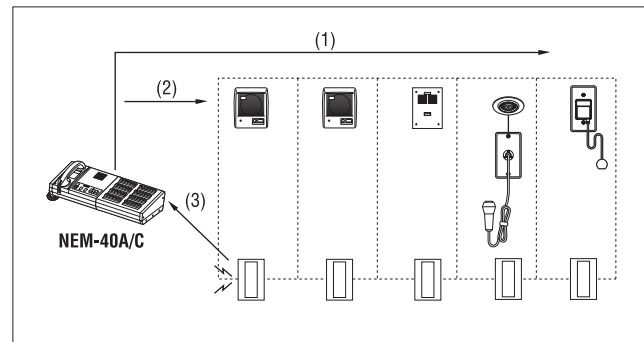
- Lamp memory intercom: Sub's call-in with tone & light
- Press-to-talk or handset with voice actuation
- Selective or group call of 10 subs
- All Call
- Pre-tone sounding at sub, when selected
- Optional accessories for health care applications
- Expand beyond 40 stations with 50-120-call master stations

Wiring



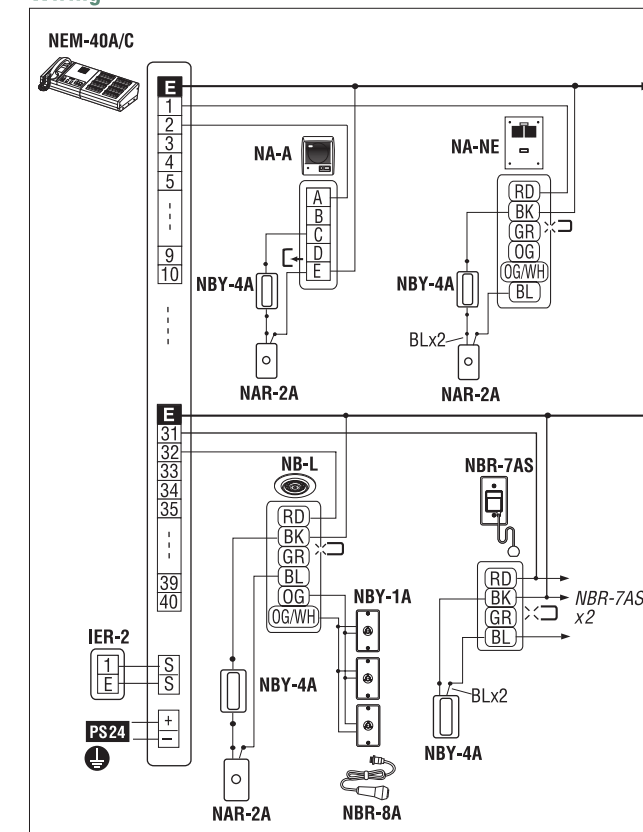
• 1 + n = 1 common + no. of Subs

Communication network



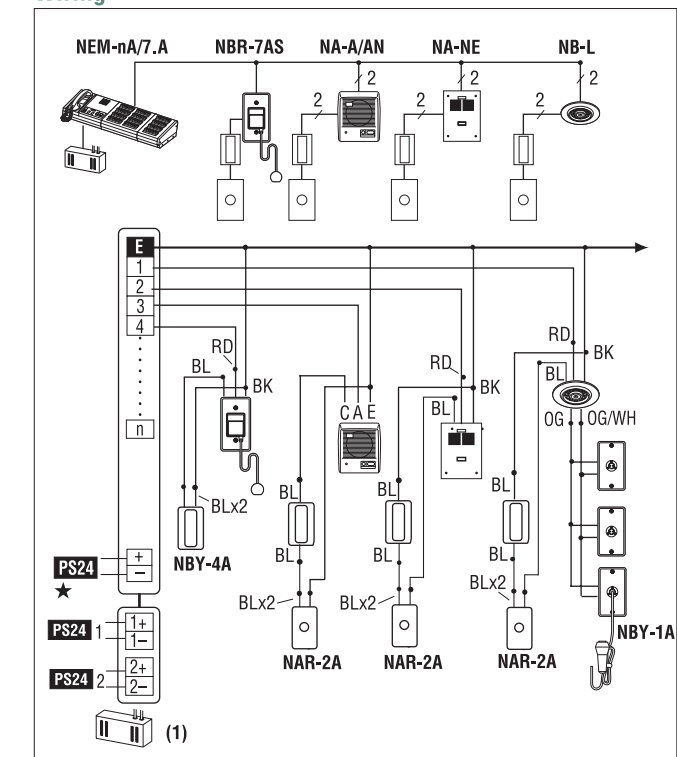
- (1) All call for instant transmission to all subs
- (2) Selective call up to 10 subs or individually
- (3) Subs call-in w/tone & LED staying with corridor light on

Wiring



• Up to three NBR-7ASs can be connected in parallel.
RD : Red BK : Black GR : Green OG : Orange OG/WH : Orange/White BL : Blue
PS24 : PS-2420DIN, PS-2420S

Wiring



(1) Control adaptor.
RD : Red BK : Black BL : Blue OG : Orange OG/WH : Orange/White
PS24 : PS-2420DIN/S ★ Take G to earth.
PS-2420DIN/S 1 for up to 80 subs, PS-2420DIN/S 2 for 81-120 subs.