

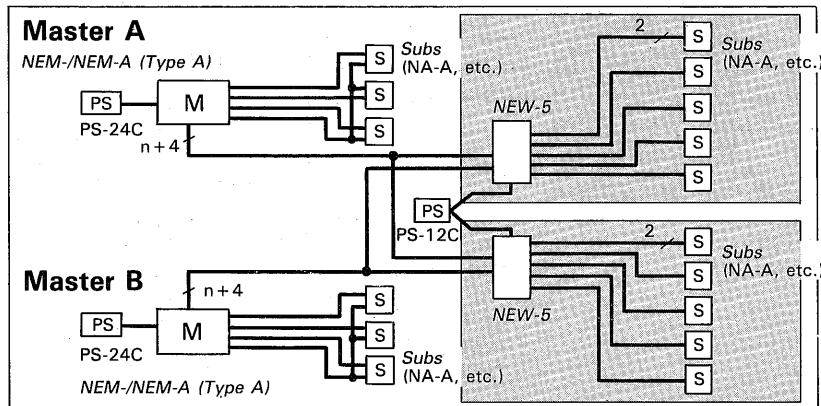
PARALLEL-CALL ADAPTOR

Model; **NEW-5** (NEM Parallel-call adaptor)

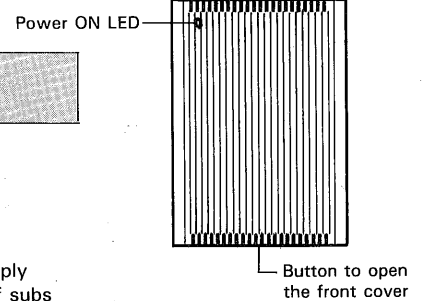
INSTRUCTIONS

1 FEATURES

NEW-5 is a parallel-call adaptor for use with Aiphone's NEM/NEM-A (Type A) system. Calls from sub stations (max. 5) connected to NEW-5 can signal two masters simultaneously.



M: Master
S: Sub
PS: Power supply
n = Number of subs connected to NEW-5.



Unit requirements;

- * **Master station:** Use only Type A version of NEM/NEM-A masters for the parallel-call application.
- * **Sub stations:** All the standard subs can be connected to NEW-5.
- * **NEW-5 adaptor:** As shown above, multiple numbers of NEW-5 (max. 8) can be connected per system, each covering up to 5 subs. One PS-12C/PS-12A power supply suffices for max. eight NEW-5.
- * NB-U, BGM adaptor can not be used in a system with NEW-5.

2 INSTALLATION

Installation;

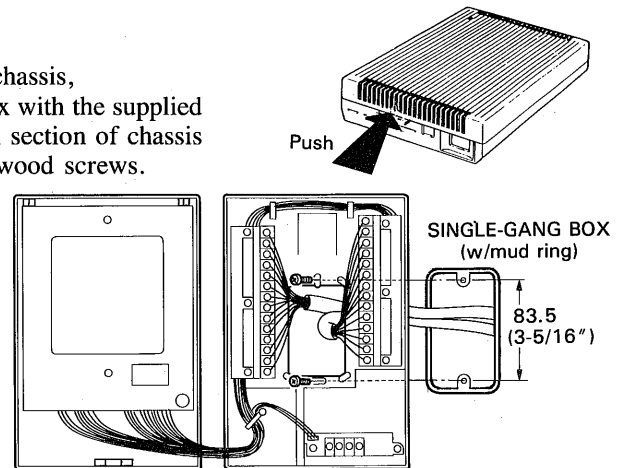
Be sure to connect all the terminals for both Masters A & B. If wiring to either Master is left undone or disconnected, all the NEW-5 function will be dead. The system will work even when power switch on either Master is turned off, if only wiring to both masters is complete.

Wall-mounting;

NEW-5 mounts on single-gang box. Open the front cover from the chassis, pushing the button at the bottom. Mount the chassis to single-gang box with the supplied two screws. For surface wall-mounting, cut off either top or bottom section of chassis for cable inlet and attach the chassis to wall with the supplied two wood screws.

Cautions;

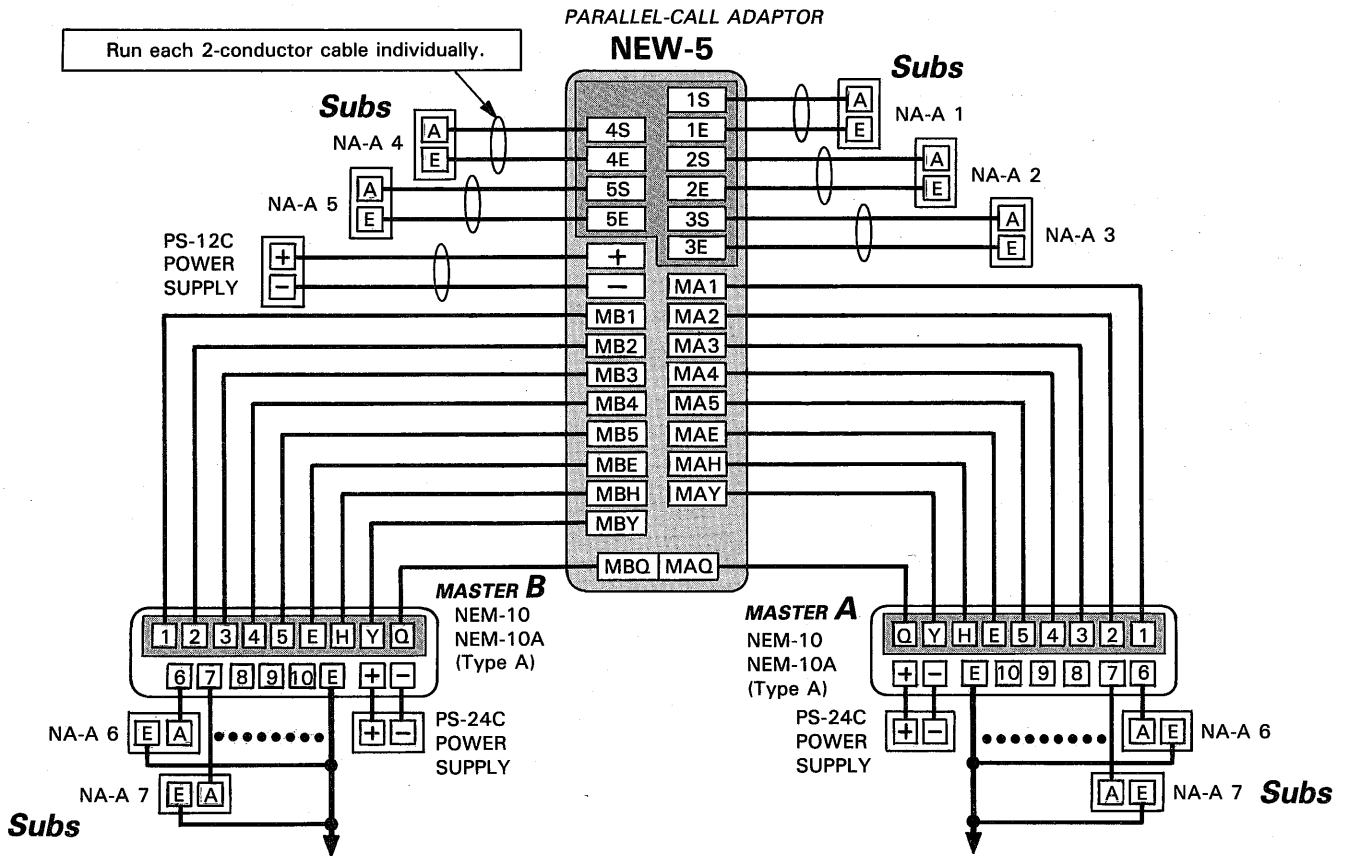
- * DO NOT CONNECT ANY TERMINAL ON ANY UNIT TO AC POWER LINES.
- * Be sure to unplug power supply from AC outlet before you open the unit or make wiring connections.
- * Avoid running the connecting wires through doors, windows or desks, which may pinch and disconnect the wires.
- * NEW-5 must be installed in as dry and dust-free environment as possible.



3 OPERATIONS

1. When a sub station connected to NEW-5 adaptor, places a call, masters A & B can be signalled simultaneously.
2. Upon being answered by either master, the call is cancelled at the other master.
3. Master stations A & B can select and call any sub connected to NEW-5.
4. No priority. Communication is established to the master who first answers the calling sub.
5. No break-in on the communication between a master and a sub by the other master.
6. When master A is in communication with a sub connected to NEW-5, or when making an All call announcement, the OCCUPIED LED (transmit monitor LED) lights up on Master B. Master B can, however, call another sub simultaneously but there is a possibility that crosstalk may occur.
7. All call function will override existing communications. After the All call concludes, the operation returns to normal. When master A is making All call, followed by master B's All call, only the announcement of Master A will be heard at the subs connected to NEW-5.

4 WIRING DIAGRAM



5 SPECIFICATIONS

| *Power source | DC 12V. Use a power supply PS-12C (or PS-12A). One power supply suffices for multiple numbers of NEW-5 adaptors. | | | | | | | | | | | | | | | | | | | | | | | | | | | | | | | | |
|-----------------------|---|-----------------------------|--------|-------|-------|----------|------|------|--------|----------|--------|-------|-------|----------|------|------|------|---|-----|-------|-------|-------|----------|------|------|------|----------|--------|-------|-------|----------|------|------|
| *Wiring | 2 individual wires between NEW-5 and subs. | | | | | | | | | | | | | | | | | | | | | | | | | | | | | | | | |
| *Wiring distance | *Between NEW-5 and subs; | *Between NEW-5 and masters; | | | | | | | | | | | | | | | | | | | | | | | | | | | | | | | |
| | <table border="1"> <thead> <tr> <th>AWG</th> <th>22AWG</th> <th>20AWG</th> <th>18AWG</th> </tr> </thead> <tbody> <tr> <td>Distance</td> <td>420'</td> <td>650'</td> <td>1,000'</td> </tr> <tr> <td>Diameter</td> <td>0.65mm</td> <td>0.8mm</td> <td>1.0mm</td> </tr> <tr> <td>Distance</td> <td>130m</td> <td>200m</td> <td>300m</td> </tr> </tbody> </table> | AWG | 22AWG | 20AWG | 18AWG | Distance | 420' | 650' | 1,000' | Diameter | 0.65mm | 0.8mm | 1.0mm | Distance | 130m | 200m | 300m | <table border="1"> <thead> <tr> <th>AWG</th> <th>22AWG</th> <th>20AWG</th> <th>18AWG</th> </tr> </thead> <tbody> <tr> <td>Distance</td> <td>320'</td> <td>490'</td> <td>750'</td> </tr> <tr> <td>Diameter</td> <td>0.65mm</td> <td>0.8mm</td> <td>1.0mm</td> </tr> <tr> <td>Distance</td> <td>100m</td> <td>150m</td> <td>230m</td> </tr> </tbody> </table> | AWG | 22AWG | 20AWG | 18AWG | Distance | 320' | 490' | 750' | Diameter | 0.65mm | 0.8mm | 1.0mm | Distance | 100m | 150m |
| AWG | 22AWG | 20AWG | 18AWG | | | | | | | | | | | | | | | | | | | | | | | | | | | | | | |
| Distance | 420' | 650' | 1,000' | | | | | | | | | | | | | | | | | | | | | | | | | | | | | | |
| Diameter | 0.65mm | 0.8mm | 1.0mm | | | | | | | | | | | | | | | | | | | | | | | | | | | | | | |
| Distance | 130m | 200m | 300m | | | | | | | | | | | | | | | | | | | | | | | | | | | | | | |
| AWG | 22AWG | 20AWG | 18AWG | | | | | | | | | | | | | | | | | | | | | | | | | | | | | | |
| Distance | 320' | 490' | 750' | | | | | | | | | | | | | | | | | | | | | | | | | | | | | | |
| Diameter | 0.65mm | 0.8mm | 1.0mm | | | | | | | | | | | | | | | | | | | | | | | | | | | | | | |
| Distance | 100m | 150m | 230m | | | | | | | | | | | | | | | | | | | | | | | | | | | | | | |
| | *Between adaptor & power supply; Up to 50' with 20AWG (15m w/0.8mm). | | | | | | | | | | | | | | | | | | | | | | | | | | | | | | | | |
| *No. of NEW-5 adaptor | Max. 8 adaptors per 40-call master. | | | | | | | | | | | | | | | | | | | | | | | | | | | | | | | | |
| *Talk channel | Separate communication channel for each master, but with possibility of crosstalk. | | | | | | | | | | | | | | | | | | | | | | | | | | | | | | | | |
| *Dimensions & weight | (W × H × D) 155 × 230 × 43(mm) (6-1/8" × 9-1/16" × 1-11/16"). Approx. 550g (1.21 lbs.). | | | | | | | | | | | | | | | | | | | | | | | | | | | | | | | | |

WARRANTY

Aiphone warrants its products to be free from defects of material and workmanship under normal use and service for a period of one year after delivery to the ultimate user and will repair free of charge or replace at no charge, should it become defective upon which examination shall disclose to be defective and under warranty. Aiphone reserves unto itself the sole right to make the final decision whether there is a defect in materials and/or workmanship; and whether or not the product is within the warranty.

This warranty shall not apply to any Aiphone product which has been subject to misuse, neglect, accident, or to use in violation of instructions furnished, nor extended to units which have been repaired or altered outside of the factory.

This warranty does not cover batteries or damage caused by batteries used in connection with the product.

This warranty covers bench repairs only, and any repairs must be made at the shop or place designated in writing by Aiphone. Aiphone will not be responsible for any costs incurred involving on site service calls.

Aiphone Co., Ltd., Nagoya, Japan
Aiphone Corporation, Bellevue, WA, USA

INTERCOM SYSTEMS
AIPHONE
HOME, BUSINESS, INDUSTRY

Printed in Japan (E)

NEW-5-I(E)1089A