

Mid-Power Intercom

MASTER 1 SUB 3 **MP-S**



Master station

MP-1S
1-call master

MP-3S
3-call master

Call button

NP-B
Flush call plate

Power supply
PS-1215DIN
→ P.100

Sub station

AS-3N
Sub station

AS-3A
Sub station

Lineup

NBZ-M
Flush square frame

N-EA
Surface round frame

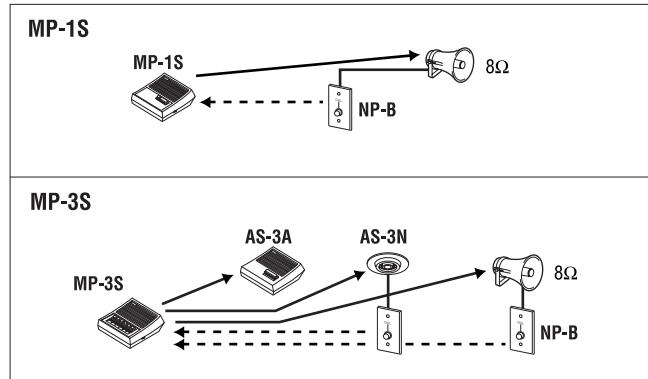
NP-W
Surface mount box for NP-B

8Ω horn speaker locally available

Features

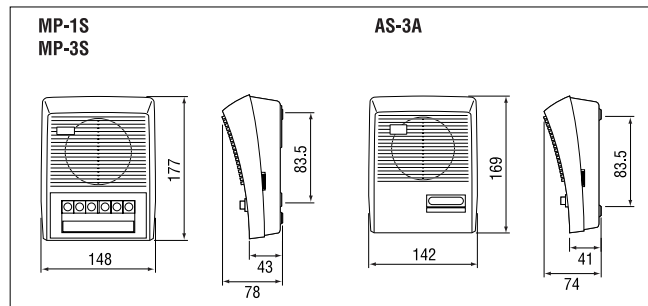
- 1 or 3-call mid-power intercom, 2.5W powered
- Incorporates subs either in console, ceiling mount or 8Ω horn for maximum output
- Handsfree reply from sub

Communication network

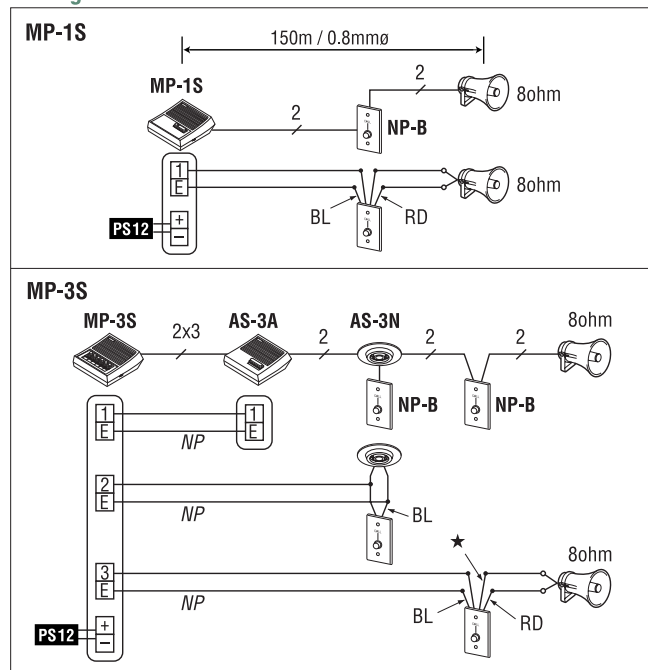


8Ω Horn w/talkback reply

Unit dimensions



Wiring



• For 8Ω horn without NP-B, install a 33MFD, 25V NP capacitor on No. line.
BL : Blue(2) RD : Red(2) ★NP-25V Capacitor PS12 : PS-1215DIN

Specifications (MP-S)

| | |
|------------------|---|
| Power source | 12V DC, 1A. |
| Power supply | PS-1215DIN |
| Communication | Sub calls in w/tone (& LED 20 sec. on MP-3S). Press sub selector and TALK to transmit, and release to listen. |
| Output | 2.5W at 1KHz. |
| Output impedance | 8Ω |
| Wiring | 2 parallel wires per sub, non-polarized. *Do not make E wires common. |
| Distance | MP-S to sub 100m(0.65mmø) 150m(0.8mmø) |

High-Power Intercom

MASTER 2 SUB 10 **AP-M/A**



Master station

AP-5M/A
5-call master

AP-10M/A
10-call master (Photo)

AP-1M/A
1-call master

Sub station

AS-3N
Sub station

AS-3A
Sub station

Call button

NP-B
Flush call plate

NP-W
Surface mount box for NP-B

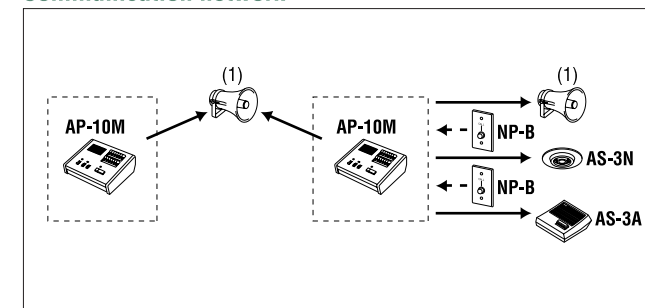
NBZ-M
Flush square frame for AS-3N

N-EA
Surface round frame for AS-3N

Features

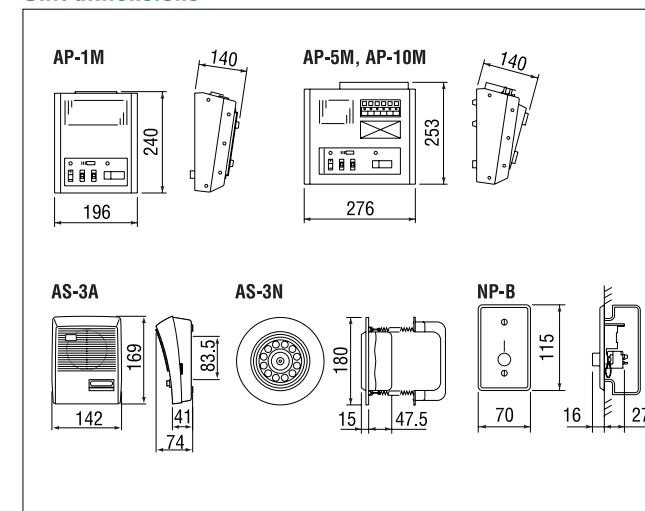
- 10 watt-powered paging & communication system
- Selective all call to 5 subs
- Single or dual-master configuration
- 8Ω or 16Ω horn speaker with talkback

Communication network

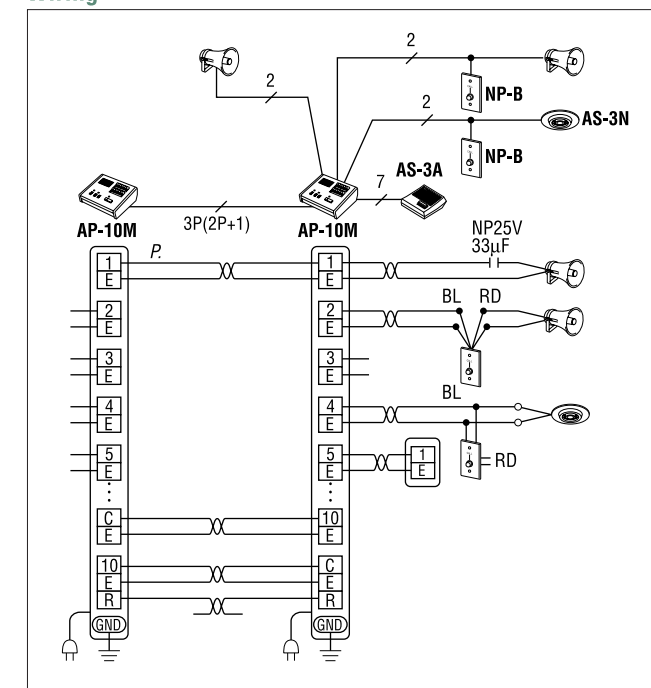


(1) 8Ω horn

Unit dimensions



Wiring



BL : Blue(2). RD : Red(2).

Specifications (AP-M)

| | |
|---------------|---|
| Power source | 220-240V AC, 50/60Hz. |
| Consumption | 45W. 6W standby. |
| Communication | Sub calls in with tone & LED, 15 sec. Depress selector and use Talk/Listen switch. All call selectively to max. 5 subs. Max. 10W transmit, adjustable. 300mW receive, adjustable. |
| Wiring | 1 twisted pair per sub, non-polarized 3 pairs (5), masters. |
| Distance | AP-M to sub 150m(0.65mmø) 230m(0.8mmø) |