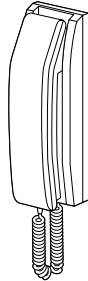


CHIME TONE INTERCOM

Model; **IE-1AD(U)**, Room master station

INSTALLATION & OPERATION MANUAL

Room master station
IE-1AD(U)



■ Package contents

- Room master station IE-1AD(U)
- Wall-mounting bracket
- Packet of screws
- INSTALLATION & OPERATION MANUAL






 General prohibitions

 General instructions





 Prohibitions to dismantle the unit

PRECAUTIONS

WARNING (Negligence could result in death or serious injury.)

- When existing chime wires are used, it is possible that they contain AC voltage. Electric shock or unit damage could result. Ask a qualified electrician. 
- Do not connect any power source other than specified to terminals +, - on the unit. Fire or electric shock could result. 
- Do not dismantle or alter the unit. Fire or electric shock could result. 
- Keep the unit away from water or any other liquid. Fire or electric shock could result. 
- Do not put any metal into the unit through openings. Fire, electric shock or unit trouble could result. 

CAUTION (Negligence could result in injury or damage to property.)

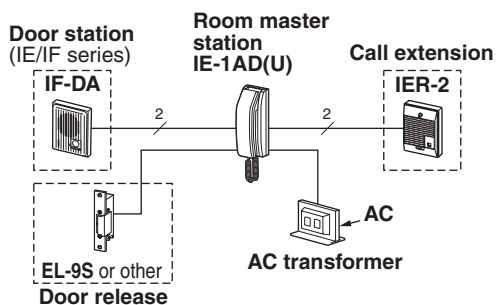
- Mount the unit on wall in a convenient location, but not where it could be bumped or jarred. Injury could result. 
- Before turning on power supply, make sure wires are not crossed or shorted. Fire or electric shock could result. 
- Do not install or make wire terminations while power supply is plugged in. Unit trouble could result. 
- Do not manually hold down hook switch to verify chime volume. 
- It sounds very loud near your ears and can cause your hearing damage.
- Do not install the components in any of the following locations, as it may cause the system to malfunction;
 - High or extreme cold temperature area: under direct sunlight, near equipment that varies in temperature, in front of air conditioner, inside a refrigerated area, etc.
 - Places subject to moisture or humidity extremes, such as bathroom, cellar, greenhouse, etc.
 - Places subject to environmental conditions, such as oil, dust, chemicals, salt, etc.
 - Places subject to constant vibration or impact.
 - Places subject to steam or smoke, such as heating appliances, cooking surface, etc.

GENERAL PRECAUTIONS

- Keep all DC wiring at least 30cm, 1' away from AC 100~240V wiring, fluorescent lighting, or dimmer switches. Otherwise, cross AC wiring at 90° angle.
- In areas where broadcasting station antennas are close by, intercom system may be affected by radio frequency interference.
- The system is not operational during a power failure.
- All the units, except for door station, are designed for indoor use only. Do not install outdoors.
- Clean the unit with a soft cloth dampened with neutral household cleanser. Never use any abrasive cleaner or cloth.

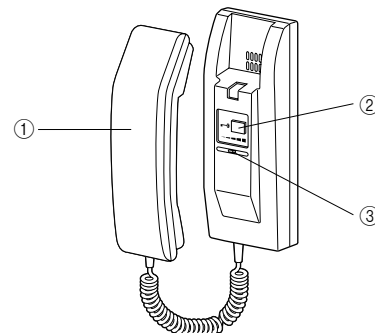
1 SYSTEM OUTLINE & COMPONENTS

IE-1AD(U) is a room master station for Chime Tone Intercom system with one each room station and door station (IE/IF series). For power supply, an AC transformer can be used for both communication and door release. A DC power supply may also be used only for communication.



*This Manual is to explain about IE-1AD(U) only.
For other models, refer to the Manuals packed with each unit.

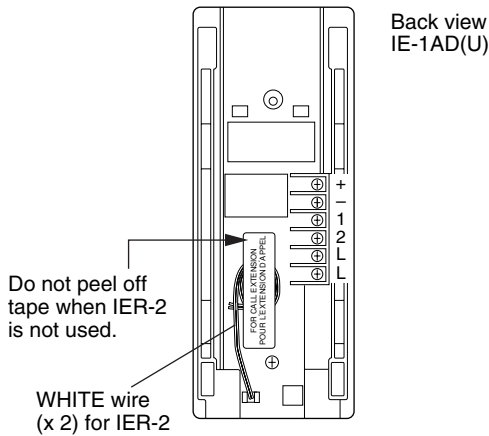
2 NAMES & FEATURES



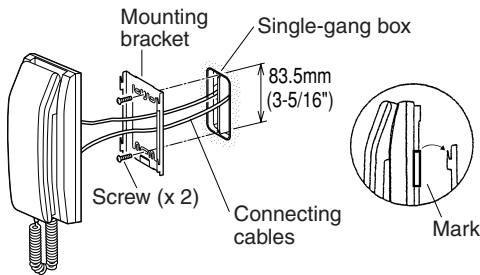
- ① Handset
- ② Door release button
- ③ Chime tone volume control

3 INSTALLATION

• Actual terminal location;

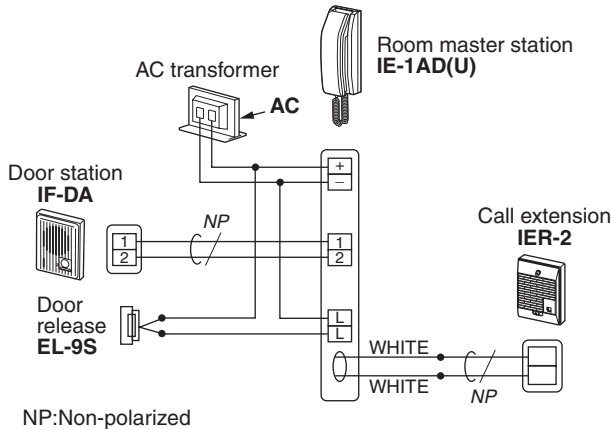


4 MOUNTING



- ① Attach mounting bracket to single-gang box or wall.
- ② Aligning at the marks, insert all the prongs of bracket into the unit. Pull the unit downward until properly locked. Be careful not to attach the bracket upside down.

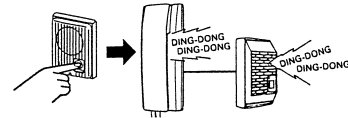
5 WIRING



NP: Non-polarized

6 OPERATIONS

Communication;

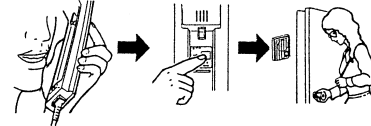


- ① Momentarily depress CALL button on door station.
- ② Incoming call is announced by 4-stroke chime at room master station and call extension if installed.



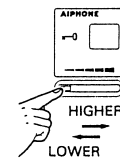
- ③ To reply, simply pick up handset at room master station. After communication, hang up handset onto its cradle properly.

To operate door release;



While holding handset, depress and hold down DOOR RELEASE button on room master station. The visitor may open the door while buzzing sound is heard.

To adjust chime volume;



Adjust volume at room master station as desired by the slide switch on room master station, according to the room conditions.

7 SPECIFICATIONS (IE-1AD(U))

- Power source: AC12-16V. DC12-24V.
- Current consumption: Max. 180mA (AC12-16V). Max. 160mA (DC12-24V).
- Calling: 4-stroke electronic chime (with adjustable volume)
- Communication: Simultaneous with handset
- Wiring: 2 wires to door, non-polarized.
Run audio wires in a separate-jacketed cable from door release's.
- Wiring distance: Between IE-1AD(U) and door station

Diameter	0.5mm	0.65mm	0.8mm	1.0mm
Distance	90m	150m	230m	360m
AWG	24AWG	22AWG	20AWG	18AWG
Distance	300'	500'	750'	1,180'

- Between IE-1AD(U) and power supply: 10m with 0.65mm. 33' with 22AWG.
- Door release button contact rating: AC/DC24V, 0.5A
 - AC transformer requirements: AC12-16V, 450mA or more (with EL-9S) AC12-16V, 700mA or more (with other manufacture's)
 - Door release requirements: EL-9S, AC12V. Other manufacture's rated AC12-16V not more than 500mA when powered by an AC transformer of system.
 - Dimensions & weight: 210H x 80W x 58D (mm).
8-1/4"H x 3-1/8"W x 2-5/16"D.
Approx. 450g (1 lb.)

WARRANTY

Aiphone warrants its products to be free from defects of material and workmanship under normal use and service for a period of one year after delivery to the ultimate user and will repair free of charge or replace at no charge, should it become defective upon which examination shall disclose to be defective and under warranty. Aiphone reserves unto itself the sole right to make the final decision whether there is a defect in materials and/or workmanship; and whether or not the product is within the warranty.

This warranty shall not apply to any Aiphone product which has been subject to misuse, neglect, accident, or to use in violation of instructions furnished, nor extended to units which have been repaired or altered outside of the factory. This warranty does not cover batteries or damage caused by batteries used in connection with the product.

This warranty covers bench repairs only, and any repairs must be made at the shop or place designated in writing by Aiphone.

Aiphone will not be responsible for any costs incurred involving on site service calls.

AIPHONE CO., LTD., NAGOYA, JAPAN
AIPHONE CORPORATION, BELLEVUE, WA, USA
AIPHONE EUROPE N.V., ANTWERP, BELGIUM

AIPHONE[®]
Providing Peace of Mind

<http://www.aiphone.com/>
Printed in Thailand(E)